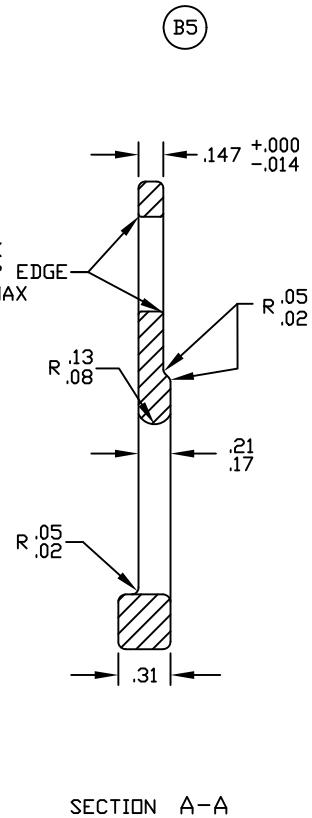
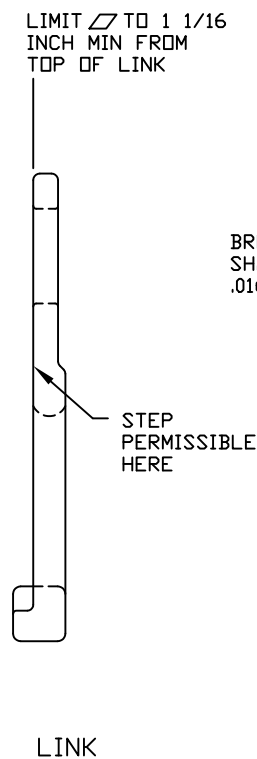
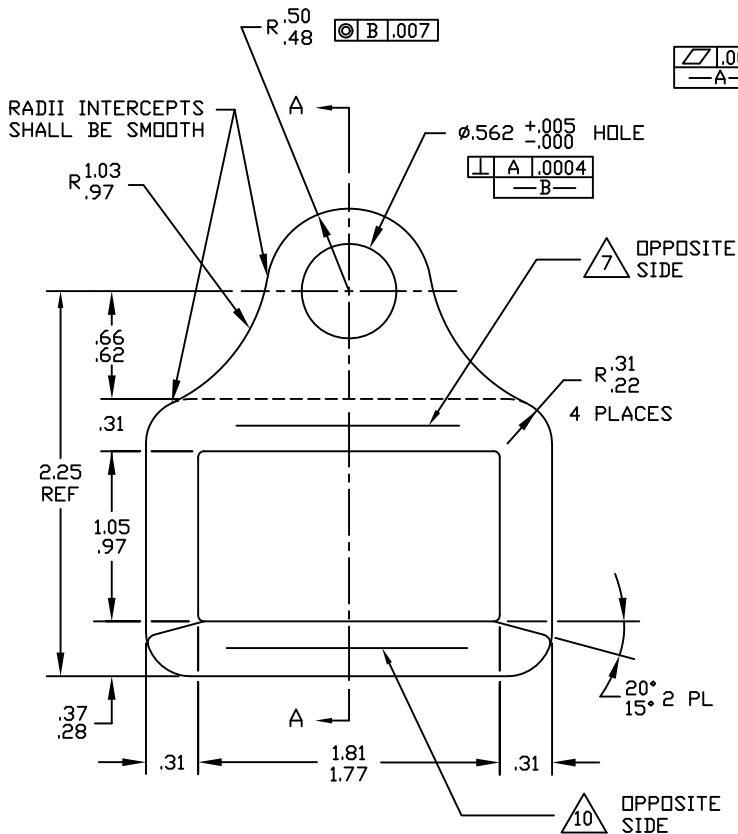


PS PART NO.	DESCRIPTION	FINISH
PS70116	ASSEMBLY	CADMIUM PLATE



Parachute Industry Association



DISTRIBUTION STATEMENT:  
All Rights Reserved. No part of this publication may be reproduced without written permission from the Parachute Industry Association. Additional copies may be purchased on-line from the PIA Store at [www.pia.com](http://www.pia.com)

Title

LINK, CONNECTING,  
QUICK RELEASE

PIA  
Standard

PS70116

Procurement Specification  
PIA-H-7195 (B21)

Adapted From:  
MS70116 (C)

Sheet 1 of 3 (B1)