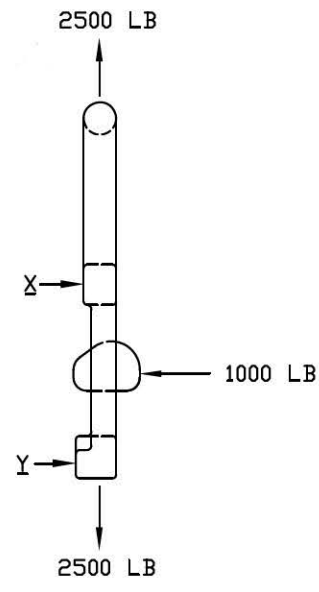
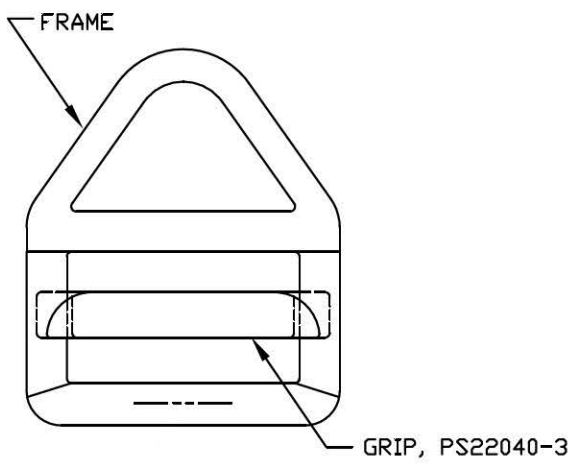


ADAPTED 1/7/98, REVISED (A) 1/11/2005, REVISED (B) 9/12/08, REVISED (C) 4/24/14, REAFFIRMED 8/2/18.



PS PART NO.	DESCRIPTION	FINISH
PS70102-1	ASSEMBLY	CADMIUM PLATE
PS70102-2	ASSEMBLY	CADMIUM PLATE
PS70102-3	ASSEMBLY	PHOSPHATE COAT

**Parachute Industry Association**

**DISTRIBUTION STATEMENT:**  
All Rights Reserved. No part of this publication may be reproduced without written permission from the Parachute Industry Association. Additional copies may be purchased on-line from the PIA Store at [www.pia.com](http://www.pia.com)

**Title**  
RING, PARACHUTE HARNESS,  
QUICK-FIT, "V" TYPE

**PIA Standard**  
  
**PS70102**

**Procurement Specification**  
PIA-H-7195 (B6) (C2)

**Adapted From:**  
MS70102 (C)

Sheet 1 of 4 (B5)