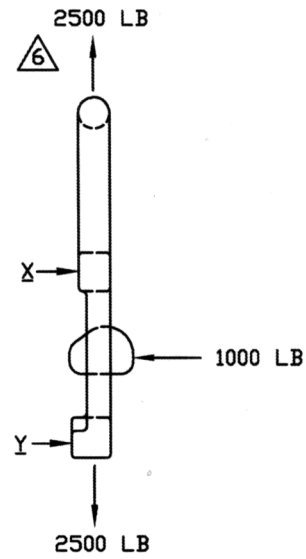


GRIP, PS22040-3

(B1) (A8)




PS PART NO.	DESCRIPTION	FINISH
PS70102-1	ASSEMBLY	CADMIUM PLATE
PS70102-2	ASSEMBLY	CADMIUM PLATE
PS70102-3	ASSEMBLY	PHOSPHATE COAT

TY I  
TY I (B2)

FRAME 'V' RING

(B9)

ADAPTED 1/7/98, REVISED (A) 1/11/2005, REVISED (B) 9/12/08

<b>Parachute Industry Association</b>  <small>DISTRIBUTION STATEMENT: All Rights Reserved. No part of this publication may be reproduced without written permission from the Parachute Industry Association. Additional copies may be purchased on-line from the PIA Store at: www.pia.com</small>	<b>Title</b> RING, PARACHUTE HARNESS, QUICK-FIT, "V" TYPE	<b>PIA Standard</b>
		<b>PS70102</b>
<b>Procurement Specification</b> PIA-H-7195 (B6)	<b>Adapted From:</b> MS70102 (C)	Sheet 1 of 3 (B5)
Copyright © 1998-2007 Parachute Industry Association Inc (B7)		