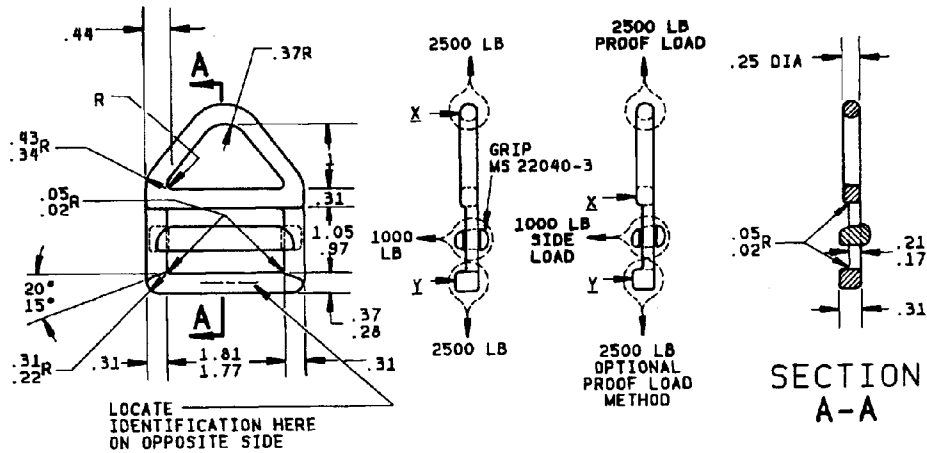


FED. SUP CLASS
1670



NOTES:

MATERIAL: STEEL, MIL-5-5626 OR MIL-5-6049.

DASH NO.
-1
-2
-3

PREVIEW COPY
INCOMPLETE DRAWING
FOR PREVIEWING PURPOSES ONLY

REVISED 30 APRIL 1986
APPROVED

© REDRAWN, REVISED FINISH REQUIREMENTS, ADDED OPT. PROOF LOAD, PART NUMBER NOTE, AND SHEET 2.

P. A. ARMY - GL Other Code NAVY - AS USAF - 99	INTERNATIONAL INTEREST	TITLE RING, PARACHUTE HARNESS, QUICK-FIT, "V" TYPE	MILITARY STANDARD MS 70102
	PROCUREMENT SPECIFICATION MIL-H-7195	SUPERSEDES: AN 6508	SHEET 1 OF 2

DD FORM 672-1 (COORDINATED)

PREVIOUS EDITIONS OF THIS FORM ARE OBSOLETE

PROJECT NO. 1670-0558

Initial Issue 7 January 1998

Parachute Industry Assoc



1315 Cheyenne Drive
Richardson TX 75080 USA
Tel (972)231-4127
Fax (972)783-8555
e-mail hq@pia.com

Title

RING, PARACHUTE HARNESS,
QUICK-FIT, "V" TYPE

Parachute Standard

PS70102

Procurement Specification
PIA-H-7195

Renamed From:
MS70102

Sheet 1 of 1

Copyright 1998 Parachute Industry Association Inc.