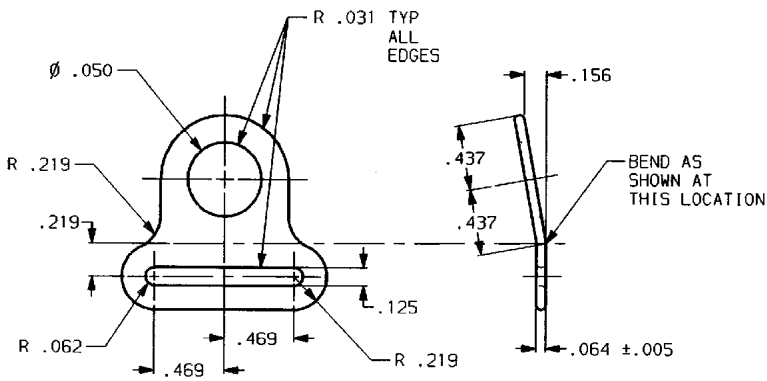


Form Approved  
OMB No. 0704-0188

NOTE: This drawing, dated 21 OCTOBER 1989, prepared by the U.S. Army, is a preliminary drawing. It has not been approved and is subject to modification. DO NOT USE FOR ACQUISITION PURPOSES.



MS PART NO.  
MS 70092

**PREVIEW COPY  
INCOMPLETE DRAWING  
FOR PREVIEWING PURPOSES ONLY**

Ⓢ DENOTES CHANGE

SUPERSEDES: AN6561		(PROPOSED)		SPECIFICATION SHEET NUMBER	
PREPARING ACTIVITY: ARMY-OL	MILITARY SPECIFICATION SHEET	MS70092C			
CUSTODIANS: ARMY-GL NAVY-AS USAF-99	TITLE	SUPERSEDING			
REVIEW: ARMY-AV, USAF-11, B2	FASTENER, PARACHUTE PACK	MS70092B 31 MARCH 1990			
USER: NC		ANSC- N/A FSC- 1670			
PROJECT NUMBER: 1670-0810		DISTRIBUTION STATEMENT A. Approved for public use; distribution is unlimited.			
		Page 1 of 1			

Initial Issue 7 January 1998

**Parachute Industry Assoc**  
  
 1315 Cheyenne Drive  
 Richardson TX 75080 USA  
 Tel (972)231-4127  
 Fax (972)783-8555  
 e-mail hq@pia.com

Title  
**FASTENER, PARACHUTE  
PACK**

**Parachute Standard**

**PS70092**

Procurement Specification  
PIA-H-7195

Renamed From:  
MS70092

Sheet 1 of 1