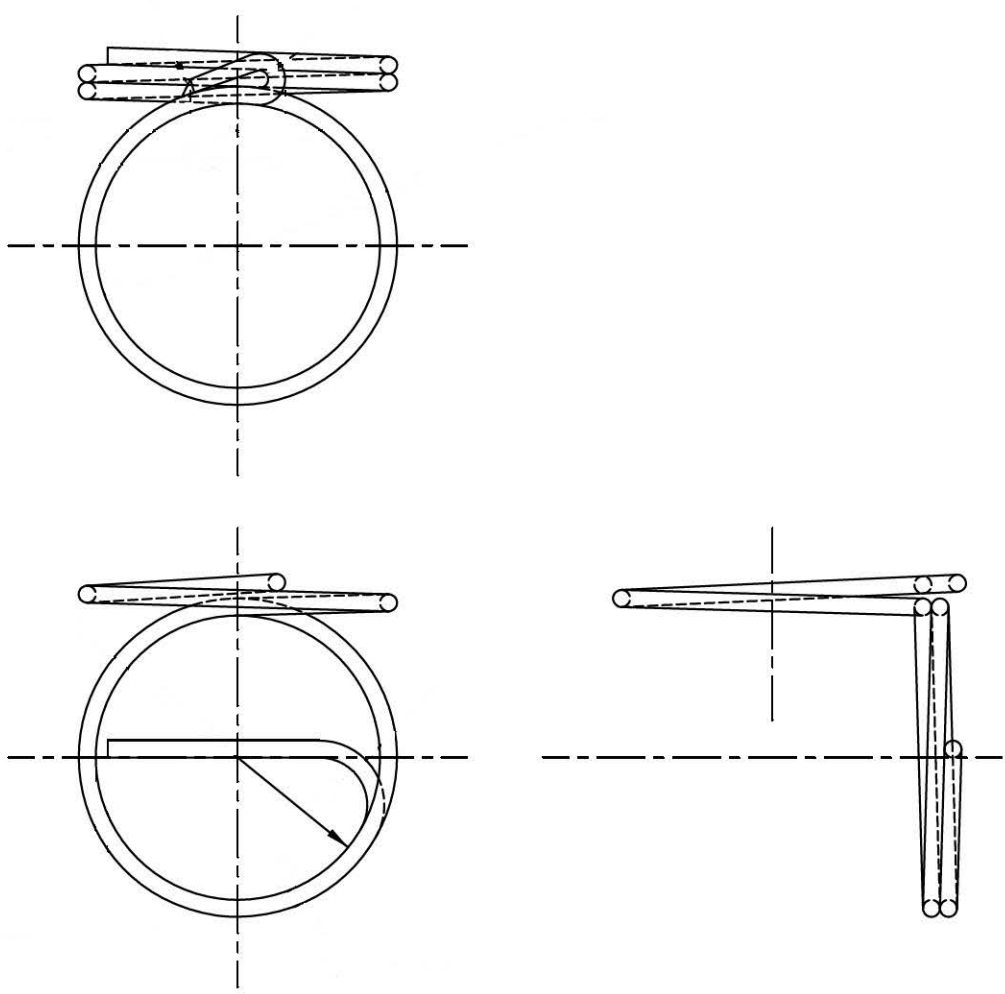



ADAPTED 1/7/98, REVISED (A) 4/28/05, REVISED (B) 8/29/09, REVISED (C) 4/24/14, REAFFIRMED 8/2/18.



Parachute Industry Association

 DISTRIBUTION STATEMENT:
 All Rights Reserved. No part of this publication may be reproduced without written permission from the Parachute Industry Association. Additional copies may be purchased on-line from the PIA Store at: www.pia.com

Title
**RETAINER-SNAP
 PARACHUTE LANYARD**

PIA Standard
PS27767

Procurement Specification
 PIA-H-7195 (B2) (C1)

Adopted From:
 MS27767

Sheet 1 of 3 (B1)

Copyright Protected: Do Not Copy!