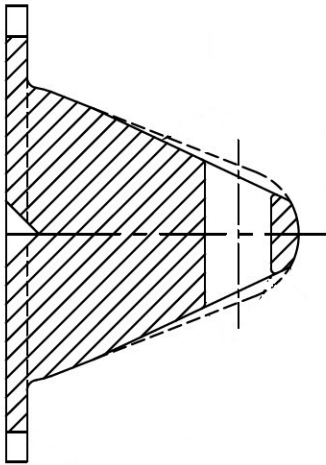
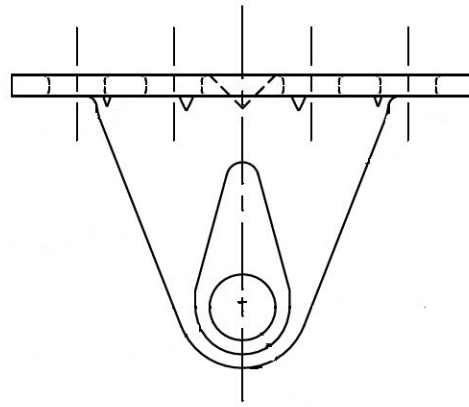
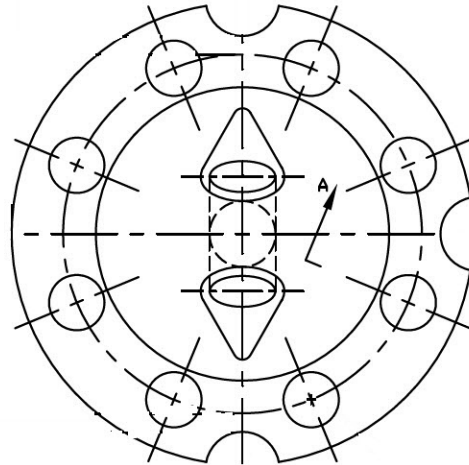


SECTION A-A



SECTION B-B



PS PART NO.	DESCRIPTION	FINISH
PS27763-1	CONE	CHROMIUM PLATED
PS27763-2	CONE	PASSIVATE

ADAPTED 1/7/98, REVISED (A) 4/28/05, REVISED (B) 2/12/11, REVISED (C) 3/2/18.

**Parachute Industry Association**



DISTRIBUTION STATEMENT:  
All Rights Reserved. No part of this publication may be reproduced without written permission from the Parachute Industry Association. Additional copies may be purchased on-line from the PIA Store at: [www.pia.com](http://www.pia.com)

Title  
**CONE-RELEASING, PARACHUTE PACK**

PIA  
Standard

**PS27763**

Procurement Specification  
PIA-H-7195 (B2)

Adopted From:  
MS27763

Sheet 1 of 3 (B1)