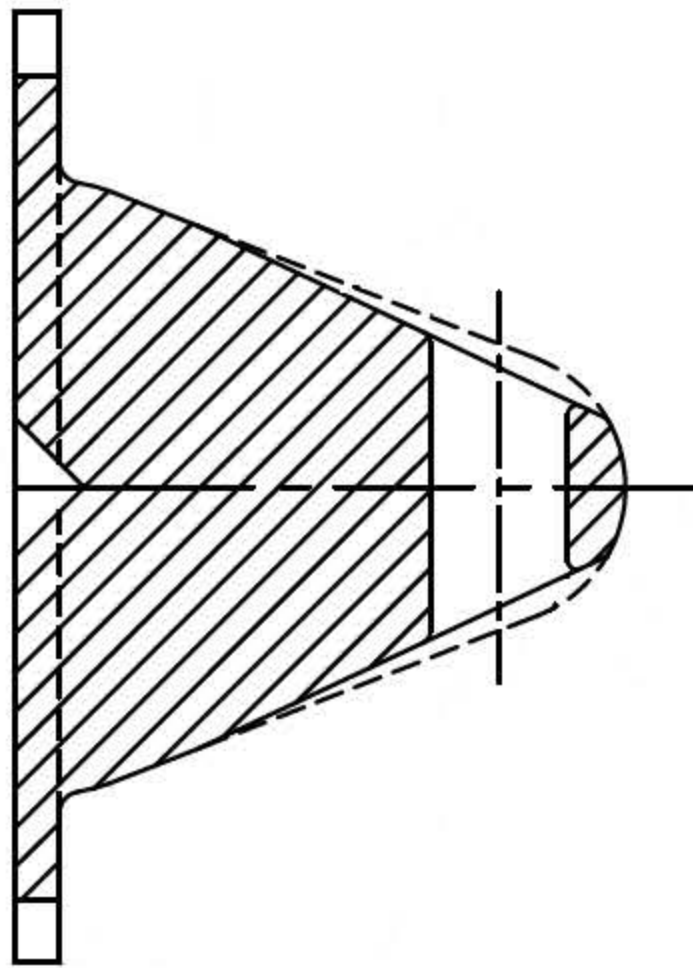
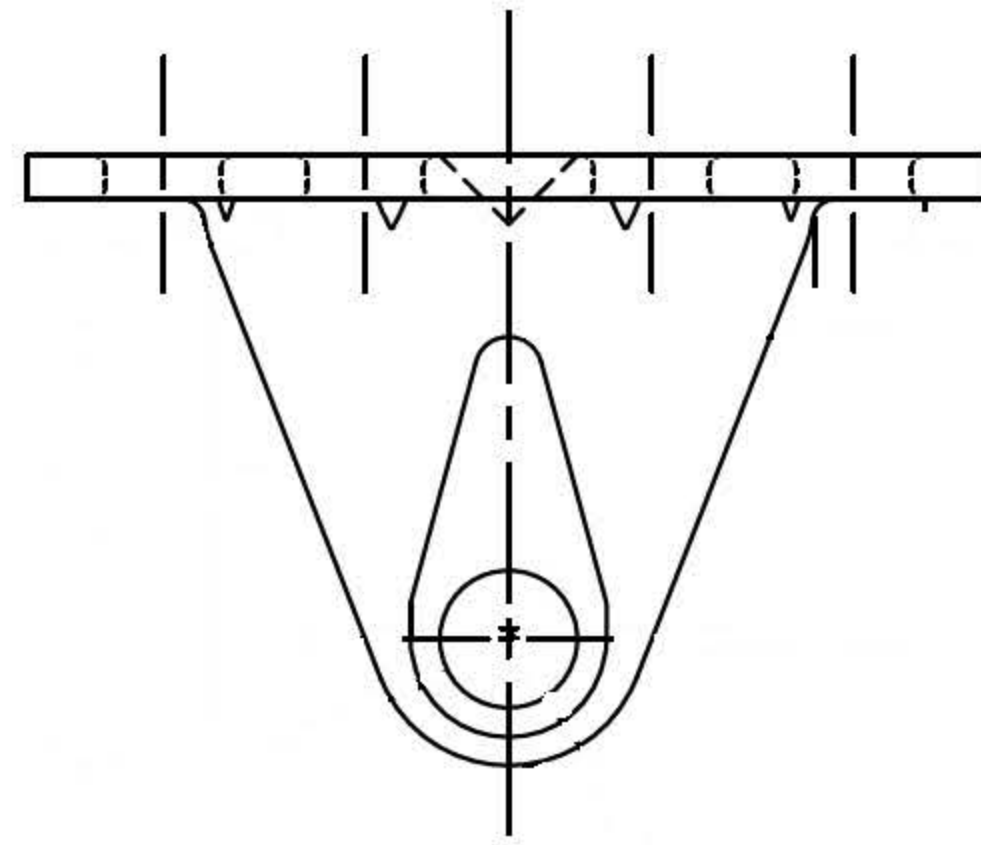
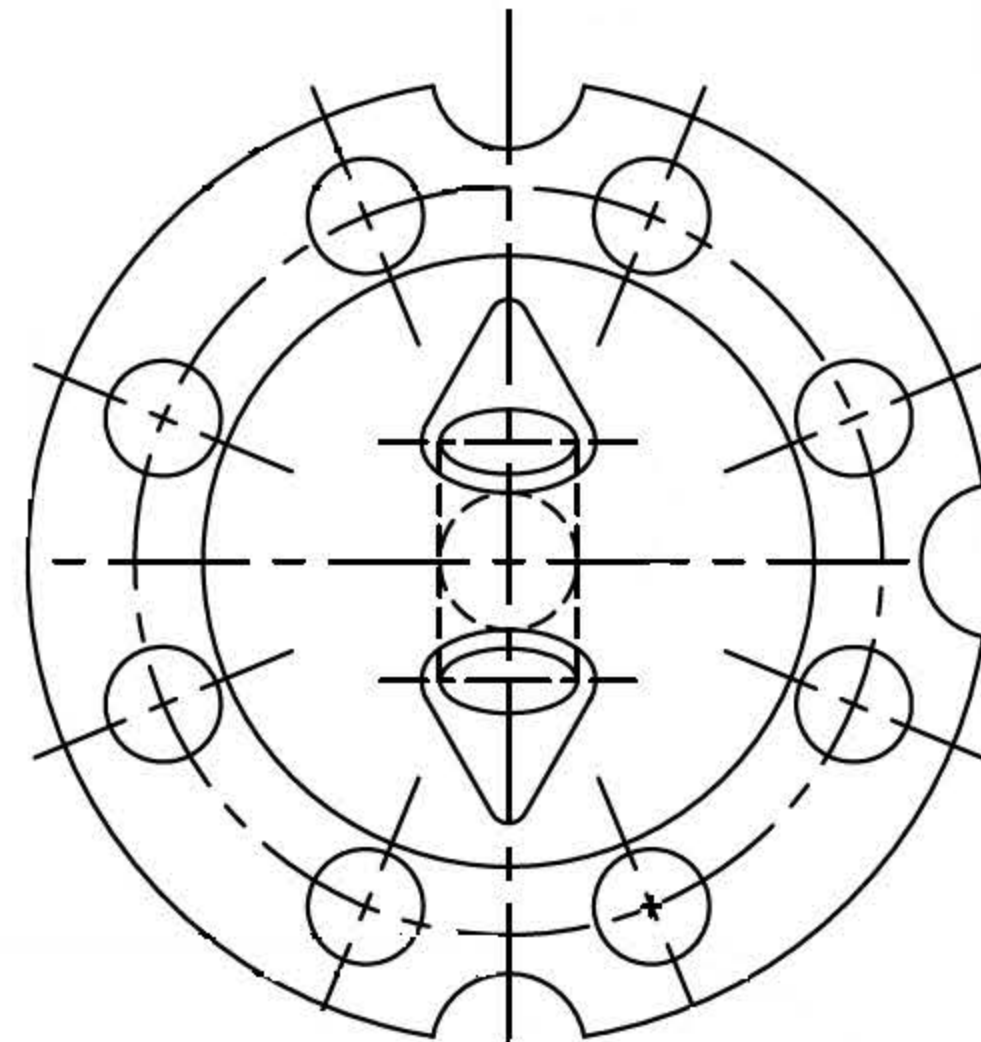


SECTION A-A



SECTION B-B



PS PART NO.	DESCRIPTION	FINISH
PS27763-1	CONE	CHROMIUM PLATED
PS27763-2	CONE	PASSIVATE

ADAPTED 1/7/98, REVISED (A) 4/28/05, REVISED (B) 2/12/11.

Parachute Industry Association



DISTRIBUTION STATEMENT:
All Rights Reserved. No part of this publication may be reproduced without written permission from the Parachute Industry Association. Additional copies may be purchased on-line from the PIA Store at www.pia.com

Title

CONE-RELEASING, PARACHUTE PACK

PIA Standard

PS27763

Procurement Specification

PIA-H-7195 (B2)

Adopted From:

MS27763

Sheet 1 of 3

(B1)