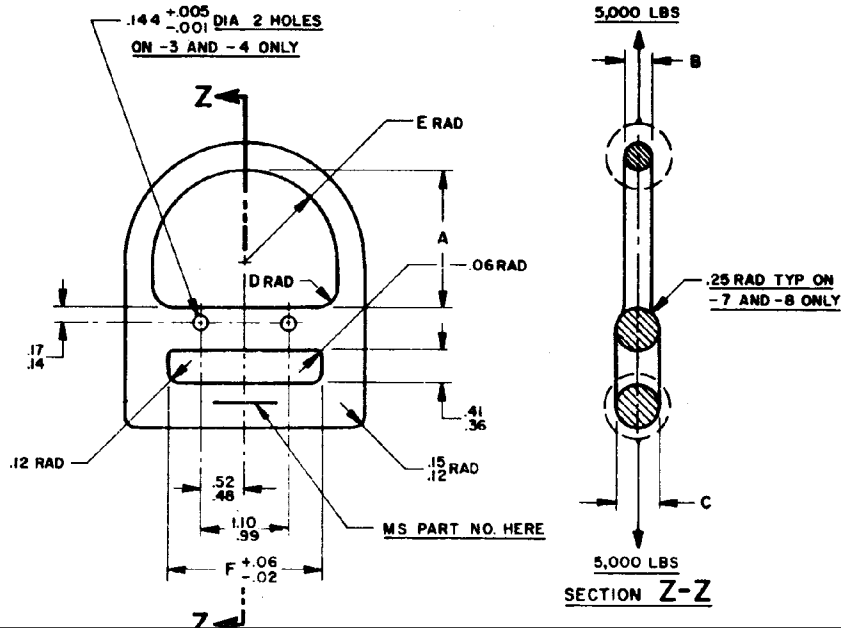


FED. SUP CLASS
1670



PREVIEW COPY
INCOMPLETE DRAWING
FOR PREVIEWING PURPOSES ONLY


APPROVED 12 MAY 61 REVISED (A) 16 SEPT 65 (B) 21 SEPT 66 (C) 26 AUG 74

P.A. USAF - 82 Other Cost Army - GL Navv - AS	TITLE RING - PARACHUTE HARNESS "D"	MILITARY STANDARD MS22046
PROUREMENT SPECIFICATION MIL-H-7195	SUPERSEDES: SEE TABLE	SHEET 1 OF 1

DD FORM 672-1 (Coordinated)

PREVIOUS EDITIONS OF THIS FORM ARE OBSOLETE

Initial Issue 7 January 1998

Parachute Industry Assoc  1315 Cheyenne Drive Richardson TX 75080 USA Tel (972)231-4127 Fax (972)783-8555 e-mail hq@pia.com	Title RING, PARACHUTE HARNESS "D"	Parachute Standard
		PS22046
Procurement Specification PIA-H-7195	Renamed From: MS22046	Sheet 1 of 1
Copyright 1998 Parachute Industry Association Inc.		