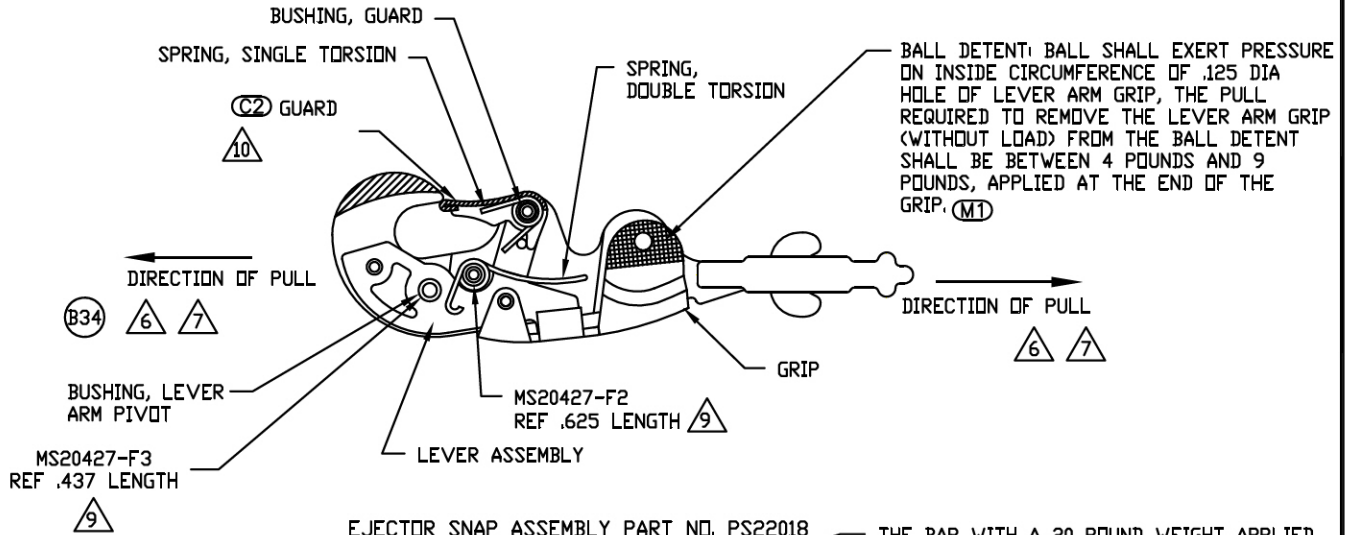
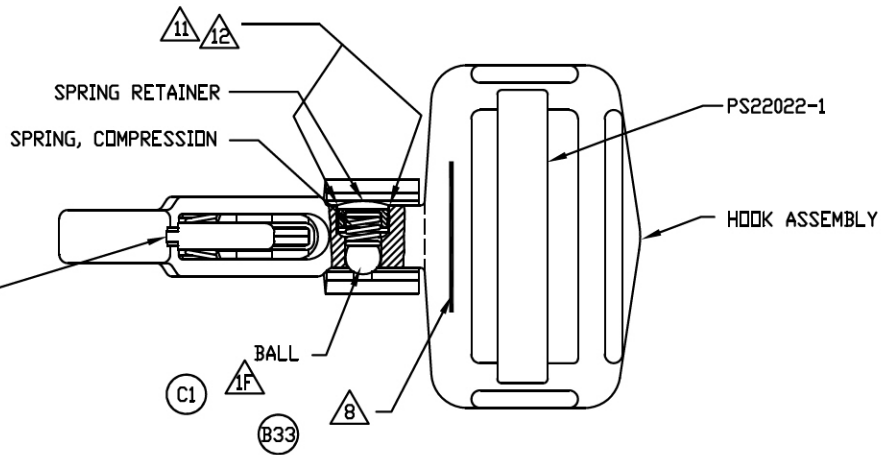


(C1) TIP OF THE GUARD SHALL BE ALIGNED WITH THE SLOT AT THE TIP OF THE HOOK WITHIN .030 INCHES.



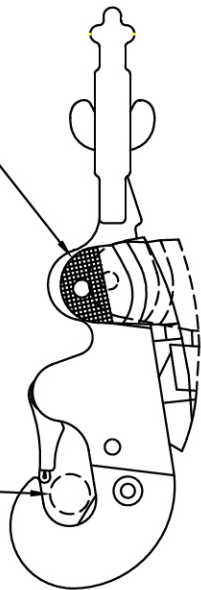
EJECTOR SNAP ASSEMBLY PART NO. PS22018

THE BAR WITH A 20 POUND WEIGHT APPLIED SHALL BE COMPLETELY EJECTED WHEN A MANUAL PULL (NOT EXCEEDING 15 POUNDS) IS APPLIED TO OPEN THE LEVER ARM TO FULL RELEASE POSITION.

WITH LEADING EDGE OF LEVER ARM GRIP RESTING ON THE PROJECTING BALL A LOAD OF 20 POUNDS MAX. SHALL BE APPLIED TO THE  $\phi$ .281 BAR, WHICH IS AT THE END OF THE LEVER ARM. (INSIDE HOOK MOUTH), THE GRIP SHALL CLOSE AND LOCK OVER THE BALL DETENT.

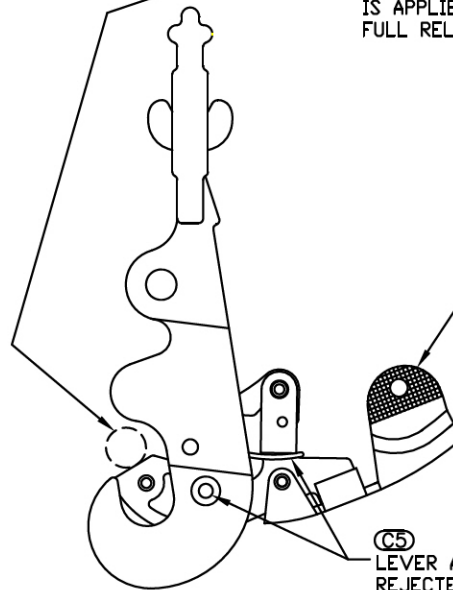
(M2) (B35)

(C4) SNAP SHALL ACCEPT A  $\phi$ .281 TEST BAR



RELEASE OF LEVER ARM FROM THIS POSITION SHALL CLOSE AND SEAT LEVER ARM GRIP OVER BALL DETENT.

(M3)



(C5) LEVER ARM SHALL ROTATE TO ITS FULLY REJECTED POSITION (AGAINST DOUBLE TORSION SPRING BUSHING) WITHOUT RESISTANCE FROM DOUBLE TORSION SPRING.

Parachute Industry Association



DISTRIBUTION STATEMENT:  
All Rights Reserved. No part of this publication may be reproduced without written permission from the Parachute Industry Association. Additional copies may be purchased on-line from the PIA Store at [www.pia.com](http://www.pia.com)

Title

SNAP, PARACHUTE HARNESS QUICK-FIT EJECTOR

PIA Standard

PS22018

Procurement Specification  
PIA-H-7195 (B2)

Adapted From:  
MS22018 (E) 1/7/98

Sheet 1 of 13 (B1)