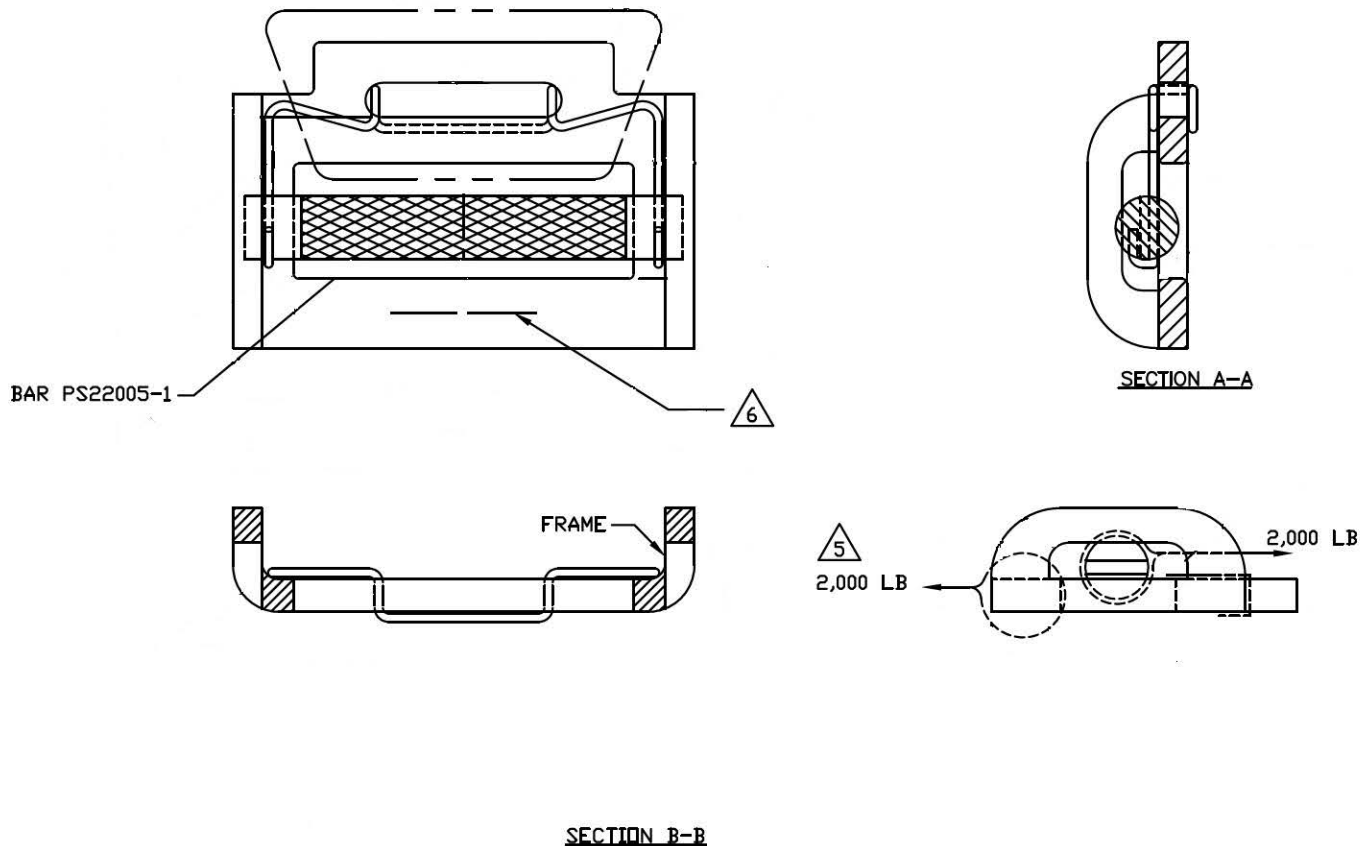


REVISED (A) 9/10/04, REVISED (B) DATE 5/03/07, REVISED (C) 3/22/13.



PS PART NO.	DESCRIPTION	FINISH
PS22007-1	ADJUSTER ASSEMBLY (WITHOUT SPRING)	CADMIUM
PS22007-2	ADJUSTER ASSEMBLY (WITH SPRING)	CADMIUM
PS22007-3	ADJUSTER ASSEMBLY (WITHOUT SPRING)	PHOSPHATE
PS22007-4	ADJUSTER ASSEMBLY (WITH SPRING)	PHOSPHATE

(C2)

Parachute Industry Association  <small>DISTRIBUTION STATEMENT: All Rights Reserved. No part of this publication may be reproduced without written permission from the Parachute Industry Association. Additional copies may be purchased on-line from the PIA Store at www.pia.com</small>	Title ADJUSTER ASSEMBLY, SAFETY SHOULDER HARNESS BELT	PIA Standard
		PS22007
Procurement Specification PIA-H-7195 (B2)	Adapted From: MS22007 (K) 1/7/98	Sheet 1 of 4 (B1)

Copyright Protected: Do Not Copy!