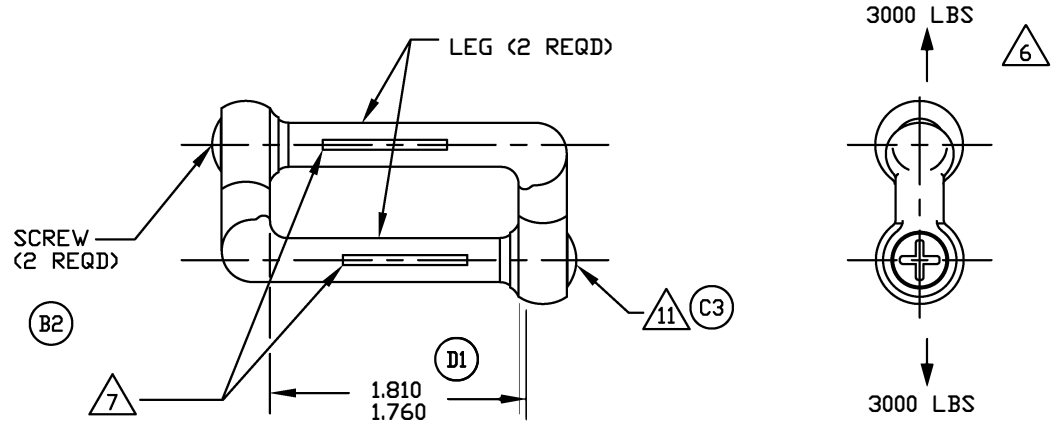



REVISED (A) 4/29/04, REVISED (B) 4/27/06, REVISED (C) 9/14/07, REVISED (D) 3/22/13, REVISED (E) 8/9/19.



LINK ASSEMBLY (B18)

PS PART NO	DESCRIPTION	FINISH	LEG	SCREW, CROSS RECESSED, (9)	SCREW, SLOTTED (10)
PS22002-1	LINK ASSEMBLY	CADMIUM PLATED	-3	-5	-7
PS22002-2	LINK ASSEMBLY	PHOSPHATE COATED	-4	-6	-8

(B19)
(B20)
(C1)

Parachute Industry Association

DISTRIBUTION STATEMENT:
 All Rights Reserved. No part of this publication may be reproduced without written permission from the Parachute Industry Association. Additional copies may be purchased on-line from PIA Specifications and Products: WWW.PIA.COM

Title
 LINK, REMOVABLE CONNECTOR
 PARACHUTE & BARRICADE

PIA Standard
 PS22002

Procurement Specification
 PIA-H-7195 (B3)

Adapted From:
 MS22002 (F) 1/7/98

Sheet 1 of 4 (D9)